

OVERVIEW AND FEATURES

The low-profile BluTree Mini 300 is a smaller version of the Mini 600. It uses one (1) blower and provides airflow between 200 and 300 CFM.

Cabinet:	20-gauge G90 cold rolled steel with durable powder-coated blue paint.
Orientation:	Left-handed or right-handed units available
Controls:	<p>The Mini 300 & 600 units are available with the following 3 options:</p> <ul style="list-style-type: none"> • DDC box mounted on the fan coil and connected to a central system, • A localized DDC system through a wall-mounted MACH ProView, • A programmable wall-mounted thermostat. <p>The DDC systems will allow for modulating control on the factory-installed Belimo valve(s) controlling the flow to the coil(s). The programmable thermostat option will only provide ON/OFF control of the valves.</p> <p>All three control options allow for ON/OFF control of the blower(s).</p> <p>The fan motors can include a speed controller to be used for the initial setup of the unit.</p>
Motor Drive:	Single direct-drive motor for Mini 300 series. Dual direct drive motors for Mini 600 series.
Coils:	Coils are factory-sized individually to meet the specific load of the area served by the fan coil. Typical: 3/8" copper tubing, with 8 aluminum fins per inch.
Filter:	Filter rack with bottom access. Mini 300 Single (1) filter is required, and Mini 600 Double Filter is required.
Condensate Pump: (site optional)	Externally mounted. Alternatively, the units can be gravity-drained into nearby drainage piping using a P-trap near the unit (within 1').
UV Light:	Air-purifying UV light is available with an onboard electrical outlet inside the control box. UV lights are field mounted in the return air ducting according to the UV manufacturer's specifications.
Mounting:	Fan coils can be mounted close to the ceiling. The optional mounting brackets are low to allow for vibration isolators. The mounting brackets installed on the sides can be used to support the unit or Unistrut channels can be used under the unit. Unit to be mounted to allow proper access to the controls and coil piping.
Drain Pan:	The internal drain-pan slopes to a central point flowing out to an external barbed fitting for easy hookup.
Serviceability:	Mini 300 & 600 units are built with the controls and coil piping on the same side of the unit. This allows for the back of the unit to be placed near a wall, requiring maintenance access from the bottom and controls/piping side only.
CSA Certification:	CSA inspected and certified.
Warranty:	All BluTree Innovations products come with a 5-year warranty.

PERFORMANCE & SPECIFICATIONS

Data provided is a range sample based on the conditions indicated.

Mini 300 Series Nominal Performance Data: Cool and Heat data are shown using a 2-coil option.

Electrical Data				Weight with 2 coils			
Electrical Supply	MCA	RLA	HP				
120/1/60	1.25	1.0	0.16	110 lbs			
Cooling Performance Data using 4-row coil							
Max CFM	Max E.S.P. (" W.C.)	Ent air (F) DB / WB	Cool Cap @ (40F) (btu/h)	Cool Cap @ (37F) (btu/h)	Leaving air (F) DB / WB	Water Flow (GPM)	Water Static (ft WG)
300	0.4"	80/67	13,690		53.8/52.2	6.5	3.5'
300	0.4"	80/67		14,888	52.2/50.7	6.5	3.6'
Heating Performance Data using 3-row coil							
Max CFM	Max E.S.P. (" W.C.)	Ent Air (F)	Heat Cap @ (120F) (btu/h)	Heat Cap @ (140F) (btu/h)	Leaving air (F)	Water Flow (GPM)	Water Static (ft WG)
300	0.4"	65	11,300		99.4	6.5	
300	0.4"	65		15,480	112.1	6.5	

Mini 600 Series Nominal Performance Data: Cool and Heat data are shown using a 2-coil option.

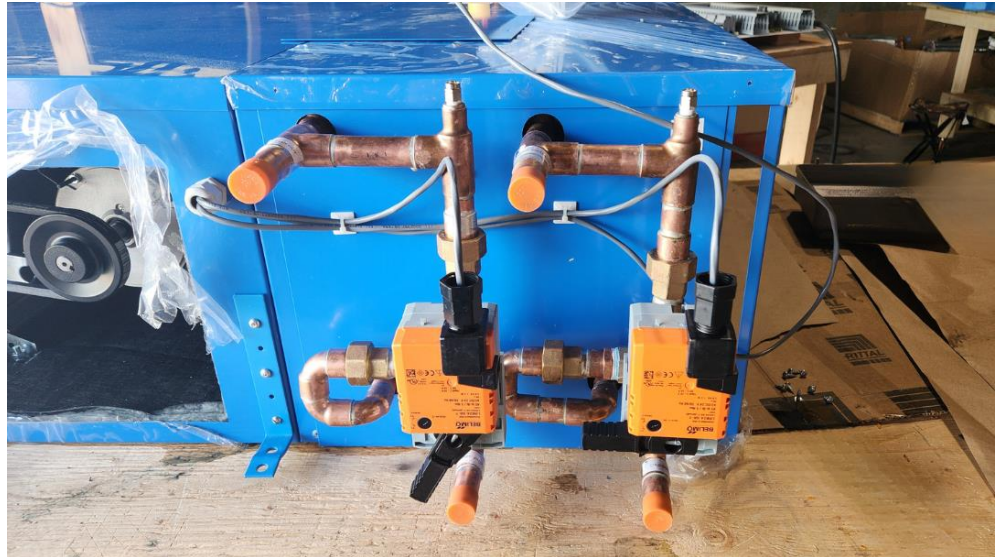
Electrical Data				Weight with 2 coils			
Electrical Supply	MCA	RLA	HP				
120/1/60	2.5	2.0	0.32	140 lbs			
Cooling Performance Data using 4-row coil							
Max CFM	Max E.S.P. (" W.C.)	Ent air (F) DB / WB	Cool Cap @ (40F) (btu/h)	Cool Cap @ (37F) (btu/h)	Leaving air (F) DB / WB	Water Flow (GPM)	Water Static (ft WG)
600	0.4"	80/67	27,710		54.0/52.4	6.5	5.0'
600	0.4"	80/67		30,150	52.3/50.9	6.5	5.1'
Heating Performance Data using 3-row coil							
Max CFM	Max E.S.P. (" W.C.)	Ent Air (F)	Heat Cap @ (120F) (btu/h)	Heat Cap @ (140F) (btu/h)	Water Flow (GPM)	Water Static (ft WG)	
600	0.4"	65	22,580		6.50	3.3'	
600	0.4"	65		30,910	6.50	4.7'	

Coil performance for heating or cooling is dependent on the relationship between airflow, water temp and GPM.

Options			
Coils – 1, 2, or 3	Right-Handed	UV lights	Speed controller for initial custom air flow setup
Factory attached brackets	Left-Handed (Default)	Coil piping assembly with 3-way diversion valve(s)	This unit can be supplied in various configurations. Primary use as a Dehumidification Unit using coils 1 and 2 for cooling, and coil 3 as Reheat. In winter, coil 3 is used for maximum heating after primary dehumidification cycle.

COIL PIPING ASSEMBLY

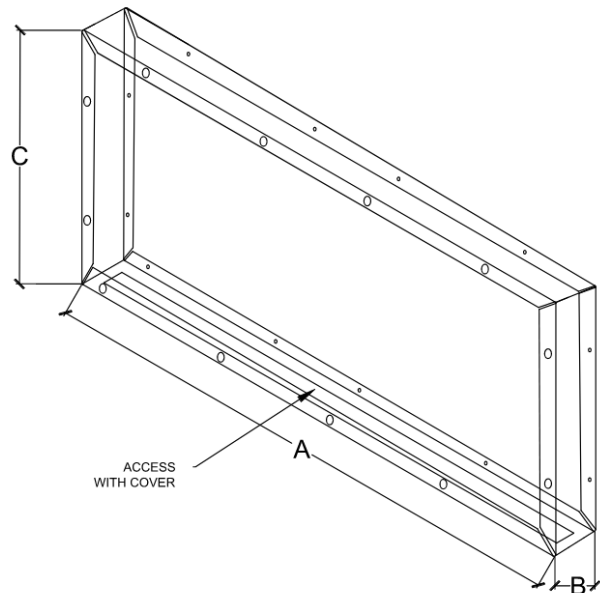
Factory-installed piping and valves are available for 2-pipe and 4-pipe assembly options. Factory-installed piping assemblies are factory-tested. Field piping connections face the front of the unit, as shown in the photos below, which show a 2-coil, 4-pipe arrangement. Labels will be included to clearly identify the supply/return hot/cold water connections.



FILTER RACK DETAIL

The filter rack provides bottom access for filter replacement of the fan coil.

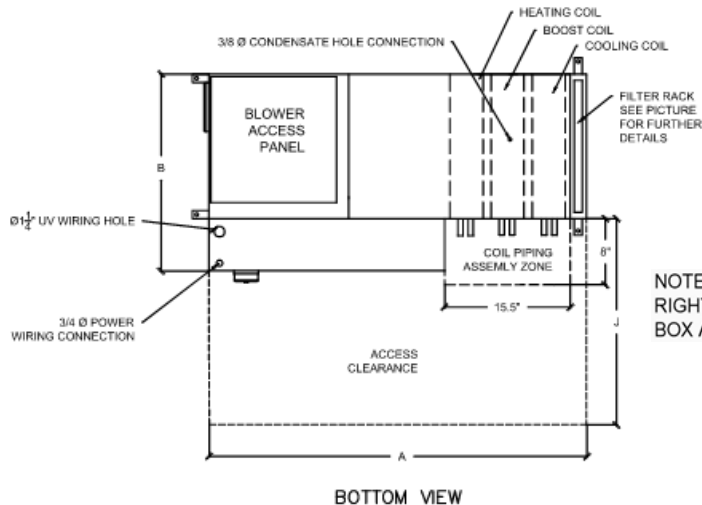
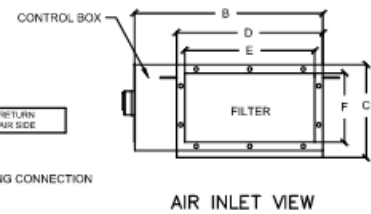
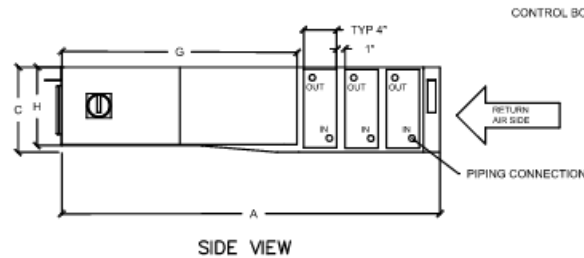
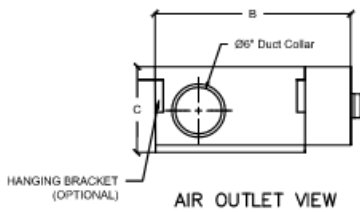
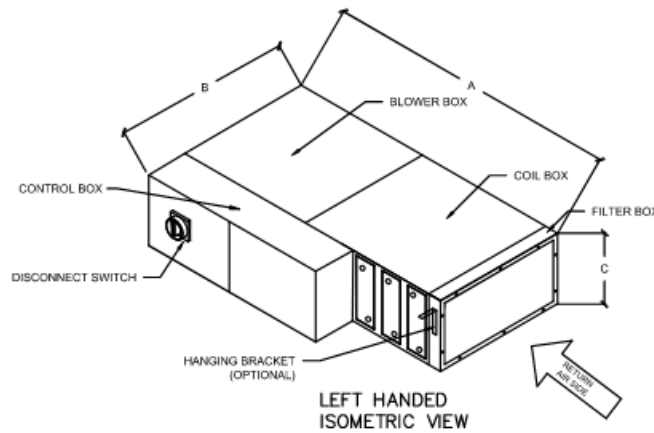
Unit	A		B		C	
	in	mm	in	mm	in	mm
Mini 300	17.5	445	2.5	64	10.5	267
Mini 600	34.0	864	2.5	64	10.5	267



DIMENSIONS

Unit	A		B		C		D		E		F	
	in	mm	in	mm	in	mm	in	mm	in	mm	in	mm
Mini 300	46.0	1168	23.8	603	10.5	267	17.5	445	15.5	394	7.5	191
	G		H		J		Weight (No Coils)		Single Coil Weight			
	in	mm	in	mm	in	mm	Lbs	kG	Lbs	kG		
	28.8	730	9.5	241	20.0	508	80.0	36.4	15.0	6.8		

MINI 300

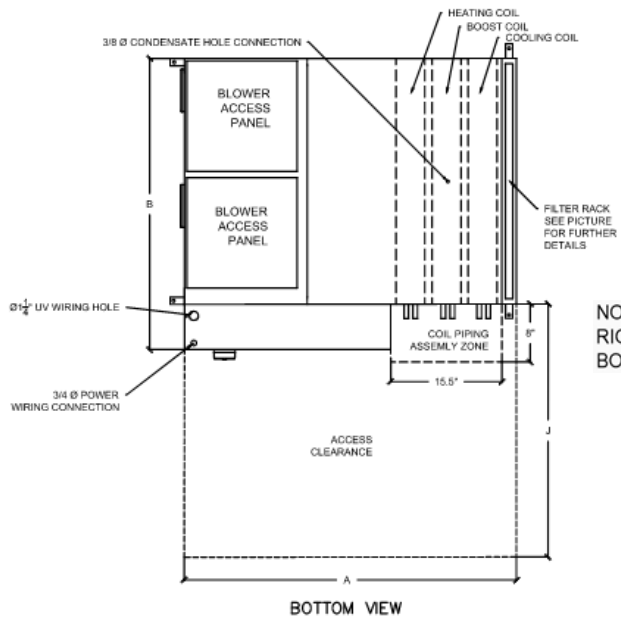
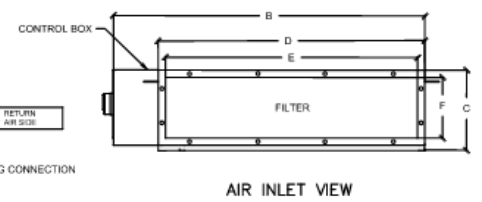
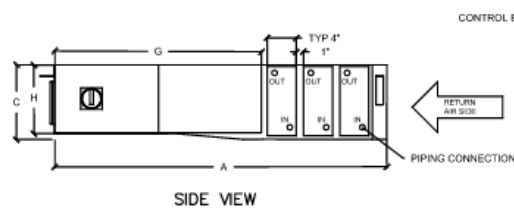
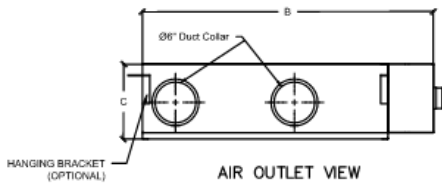
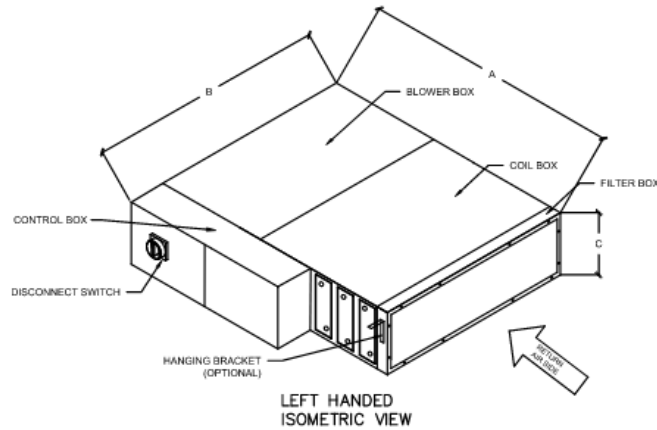


NOTE: LOOKING AT THE FACE OF THE FILTER A RIGHT HANDED UNIT WOULD HAVE THE CONTROL BOX AND PIPING TO THE RIGHT OF THE FILTER

DIMENSIONS

Unit	A		B		C		D		E		F	
	in	mm	in	mm	in	mm	in	mm	in	mm	in	mm
Mini 600	46.0	1168	40.3	1022	10.5	267	34.0	864	32.0	813	7.5	191
	G		H		J		Weight (No Coils)		Single Coil Weight			
	in	mm	in	mm	in	mm	Lbs	kG	Lbs	kG		
	28.8	730	9.5	241	40.0	1016	100.0	45.5	20.0	9.1		

MINI 600



NOTE: LOOKING AT THE FACE OF THE FILTER A RIGHT HANDED UNIT WOULD HAVE THE CONTROL BOX AND PIPING TO THE RIGHT OF THE FILTER